

11X11X11



- **OUTPUT VOLTAGE 50V~300V**
- **OUTPUT POWER 0.1W**
- **OVER CURRENT ,SHORT CIRCUIT PROTECTION**
- **+5V INPUT**
- **COMPACT AND LIGHT WEIGHT**
- **LOW TEMPERATURE COEFFICIENT 10PPM/°C**
- **LOW NOISE, LOW RIPPLE<5MVP-P**
- **HIGH STABILITY: 10PPM/HR**

INTRODUCTION

Wisman's MM series are micro-modules that provide output voltages ranging from 50V to 300V and output power is 0.1W. MM modules are compact six-sided shielded modules with ultra-low noise, high stability and ultra-low temperature coefficient. All models are provided with external potentiometer or an external voltage monitoring panel. This series modules have protection functions including over current protection, arc fault protection and short circuit protection.

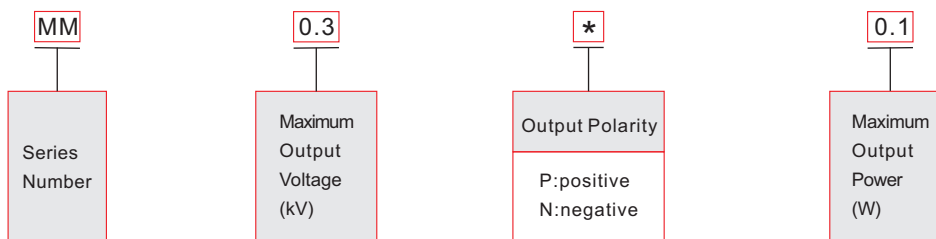
TYPICAL APPLICATIONS

Mass spectrometry, Photomultiplier tubes (PMT), solid state detectors, Piezo crystal devices, ultrasonic transducers, microchannel plates (MCP), spectroscopy, scintillation counters, electron multiplier detectors, nuclear Instruments, electrophoresis, semiconductor testing, DNA sequencing, radiation counter, electron and ion beams, electrostatic chuck, high voltage, bias hipot testing, precision lenses, image intensifiers, semiconductor testing, chemical applications, laboratory applications, industrial application supplies.

MM SELECTION TABLE

kV	mA	P(W)	MODEL	kV	mA	P(W)	MODEL
0.05	2.00	0.1	MM0.05*0.1	0.1	1.00	0.1	MM0.1*0.1
0.15	0.67	0.1	MM0.15*0.1	0.2	0.5	0.1	MM0.2*0.1
0.25	0.40	0.1	MM0.25*0.1	0.3	0.33	0.1	MM0.3*0.1

MM SELECTION EXAMPLE





MM SPECIFICATIONS

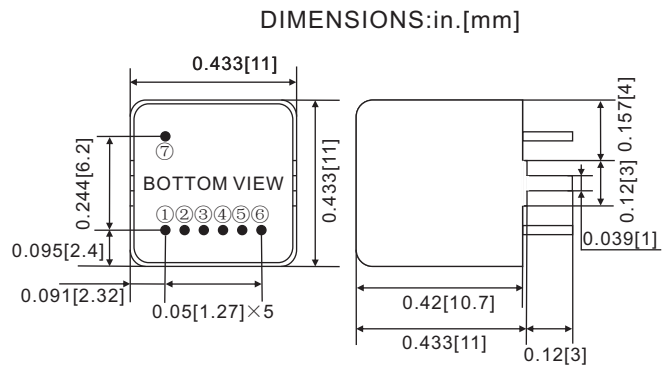
PARAMETER	DESCRIBE
Input Voltage	+5Vdc±2%, input current 90mA.
Output	50V~300V optional.
Stability	0.001%/hr after a 30 minute warm-up period.
Temperature Coefficient	<10ppm/°C.
Ripple	<5mVp-p.
Voltage Programming	By external 20kΩ potentiometer or external voltage control(Vp-in) 0~2.5Vdc,Zin = 100kΩ
Voltage Monitor	0~+2.5Vdc=0 to 100% output voltage, Zout = 20kΩ . Accuracy=±1% .
Voltage Line Regulation	±0.001% (input voltage change±2%).
Voltage Load Regulation	±0.01% (no load to full load change).
Operating Temperature	0°C~+50 °C. (Customizable within the range of -55°C~+125°C)
Storage Temperature	-40°C~+85°C.
Humidity	20%~85% RH, non-condensing.
Cooling	Convection cooled.
Dimensions	0.433" H x 0.433" W x 0.433" D (11.00mm x 11.00mm x 11.00mm).
Weight	5g.

A
MICRO-MODULES

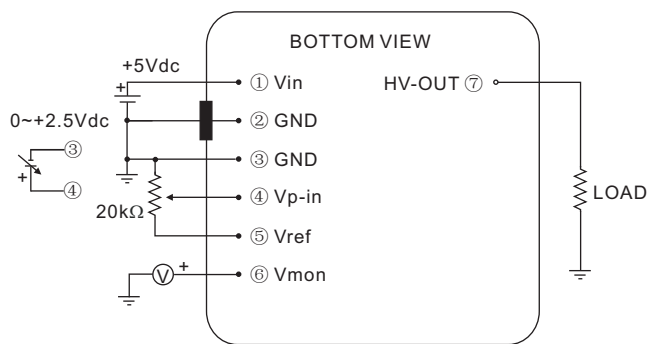
MM PIN INFORMATION

PIN	DESCRIPTION
1	Power Input +5Vdc±2%
2	Power Ground
3	Signal Ground
4	Voltage Programming,0~+2.5Vdc=0~100% rated output, Zin=100kΩ
5	+2.5Vdc Reference
6	Voltage monitor,0~+2.5Vdc=0~100% rated output, Zout=20kΩ
7	HV Output

MM DIMENSIONS



MM CONNECTION DIAGRAM



Note: The shell must be grounded

