



- 1kV~60kV 10W~75W
- High stability low noise
- Voltage-current control
- Ultra low voltage starting
- Air insulation, light weight
- Over voltage and current protection
- Security interlock function
- OEM Customization available

RACK MOUNT

INTRODUCTION

Wisman MEB series high voltage power supply has excellent regulation performance, this power output in 1kV-60kV optional, MEB series uses air insulation under the premise of ensuring safety and stability, greatly reducing the weight of MEB series to make it more convenient and practical, is a low noise ,high efficiency constant voltage and current power supply.

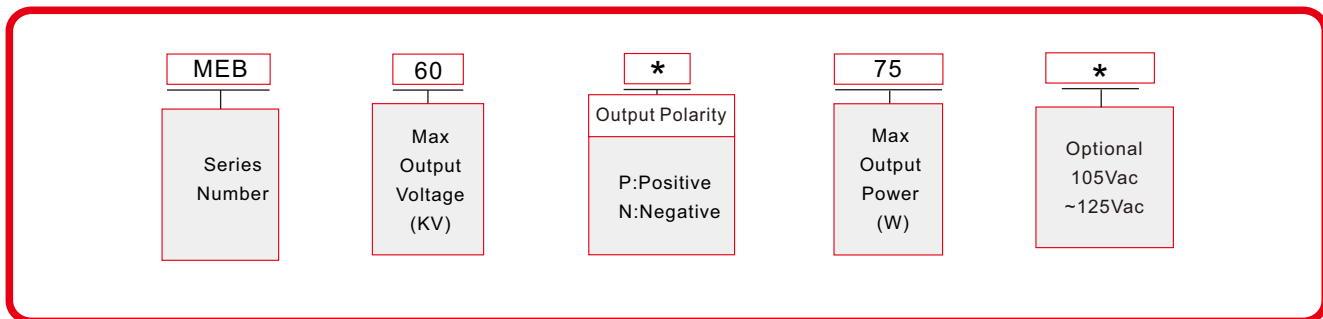
TYPICAL APPLICATIONS

Electrostatic discharge(ESD),Electrophoresis,DNA Sequencing,Electron beam ,Ion beam ,Pulse power supply, Electrostatic sucker, High Voltage Bias, Withstand voltage test, Electronic component aging, Electrostatic spinning Capacitor charging, Semiconductor test, Power cable test, Electron multiplier detector, Gas chromatography, Blood analysis,Cathode ray tube, Life Science, Medical chemical industry, Scientific experiments, Industrial application.

MEB SELECTION TABLE

kV	mA	P(W)	MODEL	kV	mA	P(W)	MODEL
1	75	75	MEB1*75	20	3.7	75	MEB20*75
1.5	50	75	MEB1.5*75	25	3	75	MEB25*75
2	37.5	75	MEB2*75	30	2.5	75	MEB30*75
3	25	75	MEB3*75	35	2	75	MEB35*75
5	15	75	MEB5*75	40	1.8	75	MEB40*75
10	7.5	75	MEB10*75	50	1.5	75	MEB50*75
15	5	75	MEB15*75	60	1.2	75	MEB60*75

MEB SELECTION EXAMPLE



SPECIFICATIONS

PARAMETER	DESCRIBE
Input Voltage	198Vac~253Vac Optional 105Vac~125Vac ,48~63Hz.
Output Voltage	1kV~60kV high voltage output optional, can be customized.
Stability	0.01%/Hours, 0.05%/8 hours after warm up
Temperature Coefficient	≤25ppm/°C
Ripple	0.05% p-p of the output voltage
Voltage/Current Monitor	0~+10Vdc proportional to 0 to 100% output voltage Zout=10kΩ, Accuracy: ±1%
Local voltage programming	Internal multi-turn potentiometer to set voltage from 0 to 100% output voltage
Remote voltage programming	0~+10Vdc proportional from 0 to 100% output voltage Zin=332kΩ
Voltage load regulation	0.005% (no load to full load change)
Voltage line regulation	±0.005% (with the rated input voltage)
Current load regulation	0.05% (no load to full load change)
Current line regulation	±0.05% (with the rated input voltage)
Voltage rise/fall time	50% load under 50ms other loads ≤ 100ms
Stored energy	≤400mJ
Operating/storage temperature	-20~+50°C/-40~+85°C
Cooling	Convection cooled
Humidity	20% ~ 85% RH, non-condensing
Dimensions	4.75"H x 5.25"W x 11.5"D (121mm x 133.5mm x 292mm)
Weight	4kg

(The above parameters are met at 5%~100% rated voltage output and decreased at 0~5%)

MEB ANALOG INTERFACE

I/O	Port information	
1	Ground	Ground
2	High pressure enable	>2.5V High voltage start
3	X1	N/C
4	Voltage Monitor	0~+10Vdc 0 to 100% rated output, Zout=10kΩ
5	Signal Ground	Signal Ground
6	Voltage remote control input	0~+10Vdc 0 to 100% rated output Zin=332kΩ
7	X2	N/C
8	Signal Ground	Signal Ground
9	External interlock	Interlocking with pin 8 short connection
10	Current display	0~+10Vdc 0 to 100% rated output Zout=10kΩ
11	X3	N/C
12	Local control	the front panel potentiometer is set for input output
13	Current remote control input	0~+10Vdc 0 to 100% rated output Zin=332kΩ
14	X4	N/C
15	X5	N/C
16	X6	N/C
17	N/C	N/C
18	Signal Ground	Signal Ground
19	Signal Ground	Signal Ground
20	Signal Ground	Signal Ground
21	N.C	N/C
22	X7	N/C
23	+10Vdc reference	+10Vdc reference, 1mA Reference voltage
24	+10Vdc reference	+10Vdc reference, 1mA Reference voltage
25	+10Vdc reference	+10Vdc reference, 1mA Reference voltage

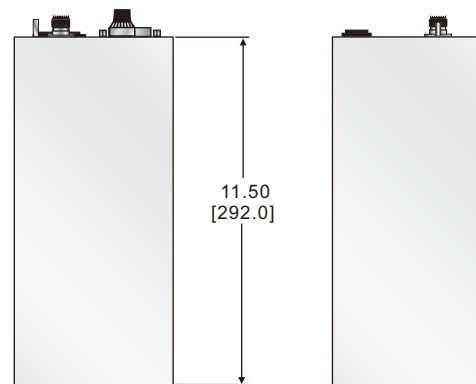
Voltage reference ground in the table is the signal ground

MEB MACHINE DIMENSION

DIMENSIONS in[mm]

BOTTOM VIEW

SIDE VIEW



FRONT VIEW

